

## Tracoe Twist – REF 301

### Tracheostomy tube with low pressure cuff

#### Product Description

The Tracoe Twist tracheostomy tubes are used as ventilation and therapy tubes with inner cannulas in hospitals, rehabilitation, and community settings. A special feature is the curved neck flange that moves in both the vertical and horizontal axes, following the movements of the patient's head. The thin tube walls of inner and outer cannulas allow for a good inside - outside diameter ratio. Tracoe Twist and Twist Plus tracheostomy tubes are made of polyurethane (PU). The low-pressure cuff is made of medical grade PVC.



#### Scope of Supply

- 2 inner cannulas with 15 mm connector
- Perforated obturator
- Neck strap

#### General Information

Product line	Twist
Legal manufacturer	Tracoe Medical GmbH Reichelsheimer Str. 1/3 55268 Nieder-Olm, Germany
Country of origin	Germany
Colour Coding	<b>REF 301</b>
Handling	
Shelf life	5 years, from date of production
Maximum Useful Life	29 days, from first use

#### Packaging

Packaging unit	1 unit
Weight	See Table
Dimensions (W x H x L)	113 x 210 x 50 mm
Material outer packaging:	Cardboard box
Material sterile packaging:	Sterile bag with medical paper and transparent heatsealable PET/PP foil

#### Material Specifications

Material Outer cannula	Polyurethane
Material Neck Flange	Polycarbonate
Material Cuff	Polyvinylchloride
Biocompatibility	EN ISO 10993-1

#### Storage



#### Certification

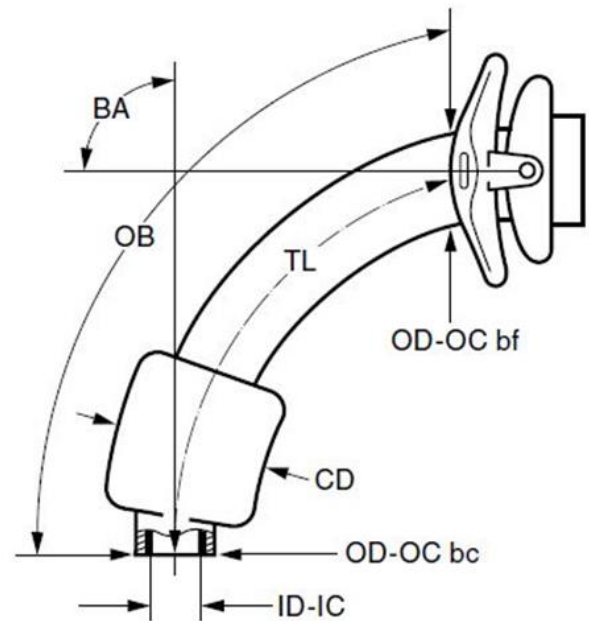
Product classification acc. MDR	IIb
CE Marking	
GMDN	35404
Quality system certified to	EN ISO 13485
FDA registration	Clearance Number K961449

## Product Range

Size	Order Number	ID-IC	OD-OC bc	OD-OC bf	TL	OB	BA	CD	Gross Weight	Global Trade Item Number
		mm	mm	mm	mm	mm	°	mm	g	
04	REF 301-04	4,0	7,2	8,6	59,0	63,0	110	15,0	111	4035324032617
05	REF 301-05	5,0	8,6	10,1	66,0	73,0	100	18,0	116	4035324032716
06	REF 301-06	6,0	9,2	10,8	72,0	79,5	95	23,0	115	4035324032815
07	REF 301-07	7,0	10,4	12,0	74,0	80,5	95	26,0	116	4035324032914
08	REF 301-08	8,0	11,4	12,7	76,0	83,0	90	28,0	117	4035324033010
09	REF 301-09	9,0	12,5	14,2	78,0	88,5	90	30,0	119	4035324063215
10	REF 301-10	10,0	13,8	15,2	80,0	89,5	90	32,0	122	4035324033119

## Legend

- ID-IC** Inside diameter at bottom of inner cannula
- OD-OC bc** Outside diameter at bottom of outer cannula
- OD-OC bf** Outside diameter of outer cannula behind the flange
- TL** Length along centre line from start of neck flange to bottom of tube
- OB** Length along outer bend from start of neck flange to bottom of tube
- BA** Bending angle
- CD** Cuff diameter



Tracoe Medical GmbH  
Reichelsheimer Str. 1 / 3  
55268 Nieder-Olm  
Germany



Breathing-Speaking-Living

Atos Medical AB  
Hyllie Boulevard 17  
215 32 Malmö  
Sweden  
[www.atosmedical.com](http://www.atosmedical.com)